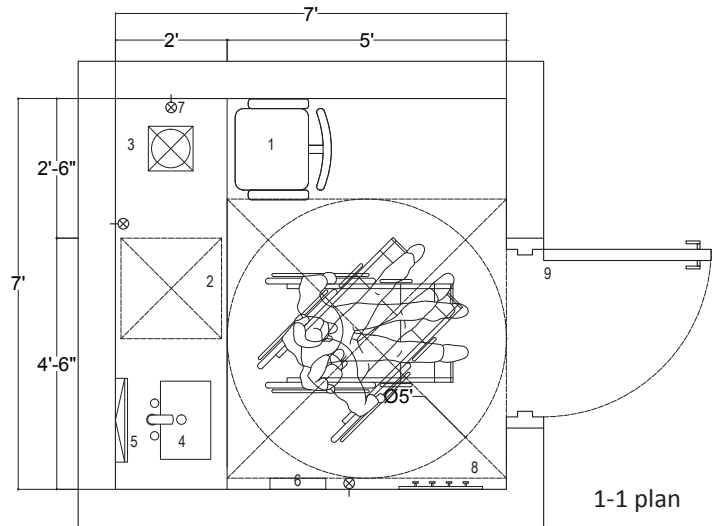
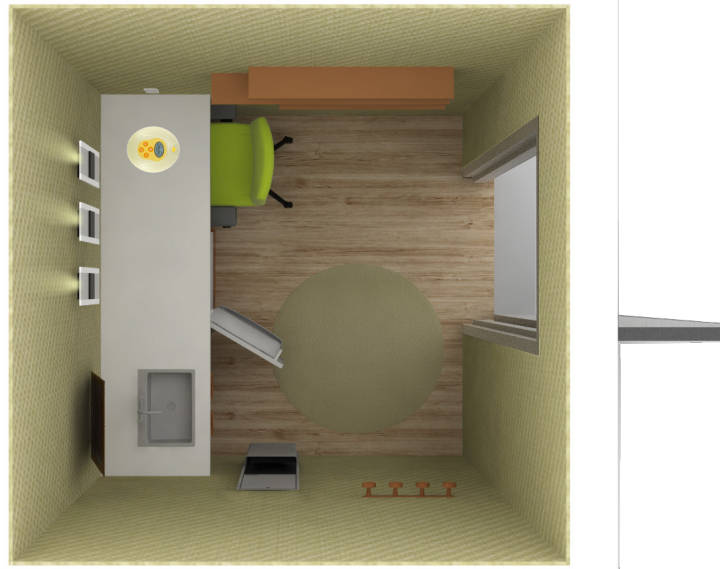


Workplace Sample Layout

7'x7' Wellness Room Unit



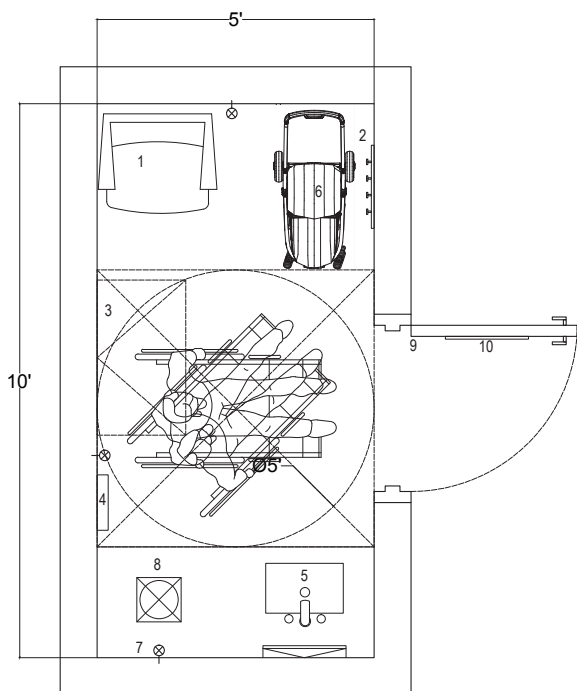
1. task chair
2. counter (fridge underneath)
3. counter for pump
4. sink (cold and hot water dispenser)
5. tilt mirror
6. paper towel dispenser (trash can underneath)
7. electrical outlet (above the counter)
8. coat hooks
9. door for privacy



Public Facility Sample Layout

10'x5' Wellness Room Unit

1. chair
2. coat hooks
3. baby changing table
4. paper towel dispenser (trash can underneath)
5. sink (cold and hot water dispenser)
6. stroller storage
7. electrical outlet (above the counter)
8. counter for pump
9. door for privacy
10. full length mirror (at back of the door)



2-1 plan



2-2 perspective

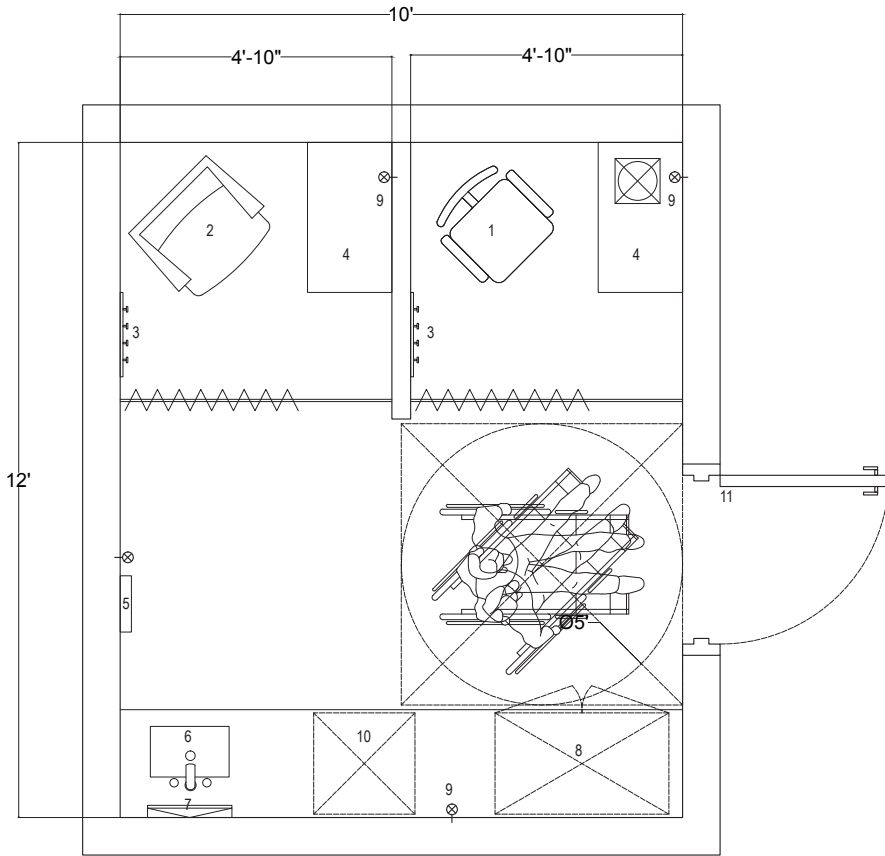


2-3 perspective

Double-Unit Sample Layout

10'x12' Wellness Room Unit

- 1. task chair
- 2. nursing chair
- 3. coat hooks
- 4. counter for pump
- 5. towel dispenser (trash can underneath)
- 6. sink (cold and hot water dispenser)
- 7. tilt mirror
- 8. cabinet or storage
- 9. electrical outlet (above the counter)
- 10. counter (fridge underneath)
- 11. door for privacy



3-1 plan



3-2 perspective



3-3 perspective